

X-STICKER®

1

design for simple and smart labeller.



X-STICKER is the innovative “low-cost” labeller projected by LABELPACK which revolutionizes the constructive concepts of a labeller joining constructive simplicity, good design, ease of use to a really interesting price.

• Approx dimensions: **750 x 470 x 300 mm**

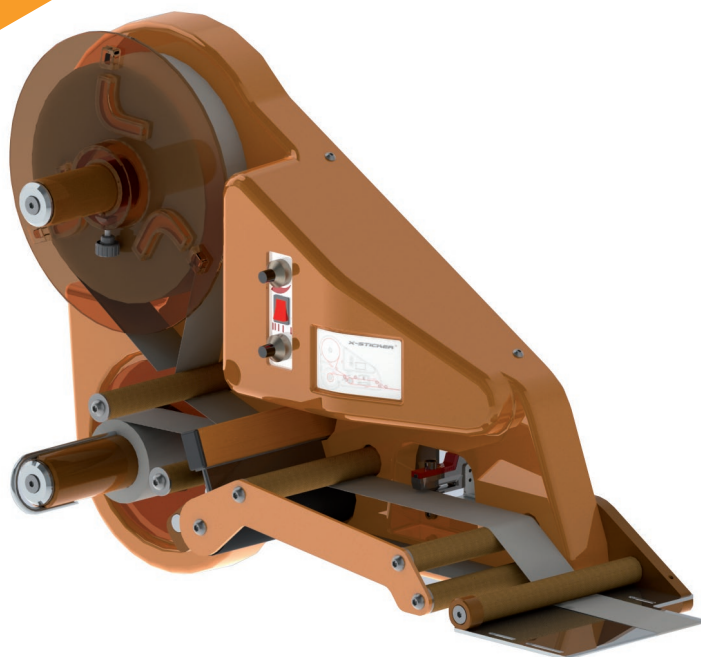
EN

STANDARD FEATURES

- Maximum width of labels: **140 mm**
- Maximum length of labels: **350 mm**
- Maximum speed: **up to 20 mt/min**
- Maximum roll diameter: **250 mm**
- Core diameter: **45/76 mm**
- Main frame: **Steel with niploy treatments**
- External cover: **Shockproof ABS**
- Dispensing blade: **Adjustable 0-90°**
- Electronic control: **Integrated control board**
- Speed adjustment: **By potentiometer**
- Stop delay adjustment: **By potentiometer**



X-Base



APPLICATIONS AREAS



ACCESSORI OPZIONALI

X-BASE

Easy positioning support unit composed by metal base with adjustable feet and weels, vertical aluminum column, horizontal tubular arm with double position joint for top or side application.